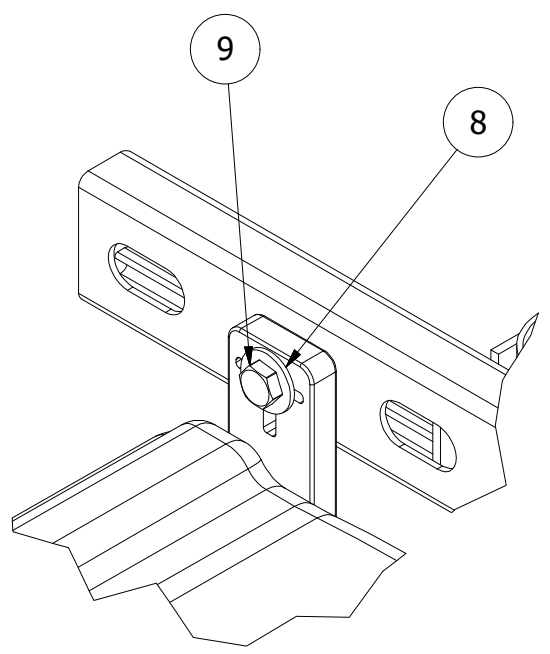
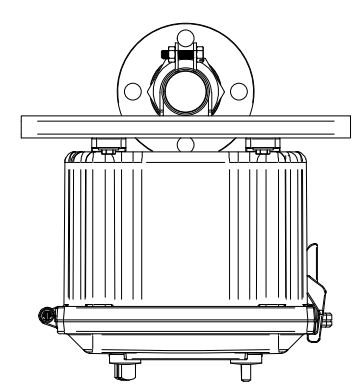


FOR MOUNTING IN GROUND
 POUND INTO THE GROUND, OR
 CONCRETE IN THE GROUND

FOR FLOOR MOUNTING



DETAIL A
 SCALE 1 / 2



PARTS LIST			
ITEM	QTY	HOME DEPOT PART#	DESCRIPTION
2	2	Z703 1 1/2EG-10	1-1/2 in. Universal Strut Pipe Clamp
3	1	ZB14HS2EG	2 ft. 14-Gauge Half Slotted Metal Framing Strut Channel - Silver Galvanized (CUT IN HALF)
4	1	62315	1-1/2 in. Electrical Metallic Tube (EMT) Compression Connector
5	1	101584	1-1/2 in. x 10 ft. Electric Metallic Tube (EMT) Conduit (CUT TO 5FT LONG)
6	1	511-607HN	1-1/2 in. Galvanized Malleable Iron Floor Flange Fitting
7	4	ZCM1001/4-10	1/4 in. Nylon Strut Cone Nut - Gold Galvanized (5-Pack)
8	4		1/4in Zinc Plated Flat Washer
9	4		1/4-20x1 Zinc Plated Bolt
10	1	1600-1279 GEN 2	

DRAWN	RB	5/5/2022
CHECKED		
MATERIAL		
FINISH		
MACHINED TOLERANCE:		
± 0.005 INCHES		
FABRICATED TOLERANCE:		
± 0.063 INCHES		



TITLE		
SIZE	DWG NO	REV
	Controller Mount	
SCALE	1 / 10	SHEET 1 OF 1